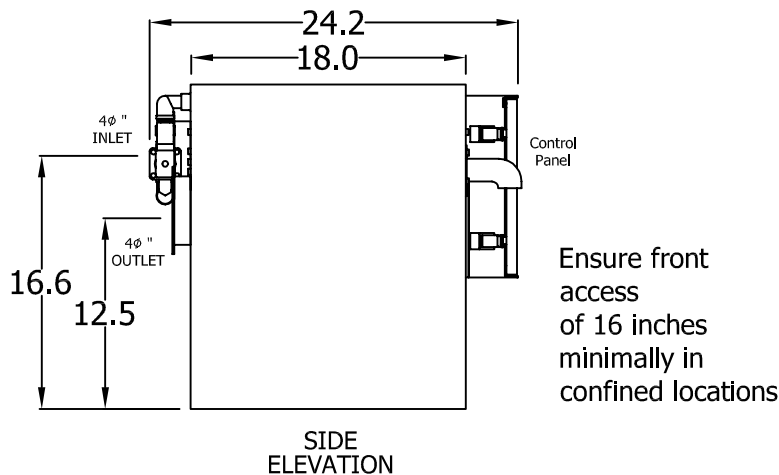
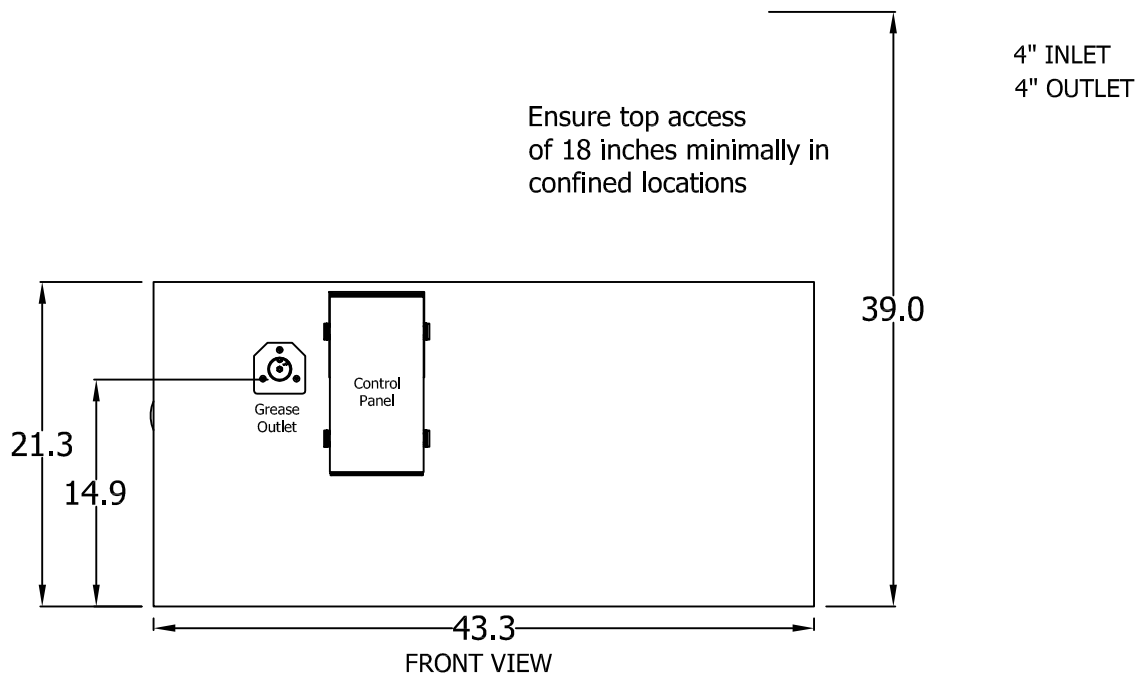




GGX75 AST Grease Guardian Standard Specification



GREASE GUARDIAN STANDARD FEATURES:

- 3 Year Guarantee
- Fully Automatic Grease Removal Unit (AGRU)
- 16 gauge stainless steel welded tank
- Fully sealed air tight lid
- PLC/HMI automatic controller
- Energy saving mode
- Skimming drum
- Automatic skimmer spray bar wash
- Automatic scum dispersion spray bar action
- Automatic screen mesh spray bar wash
- Automatic Solids Transfer (AST) system
- Grease Guardian World asset management

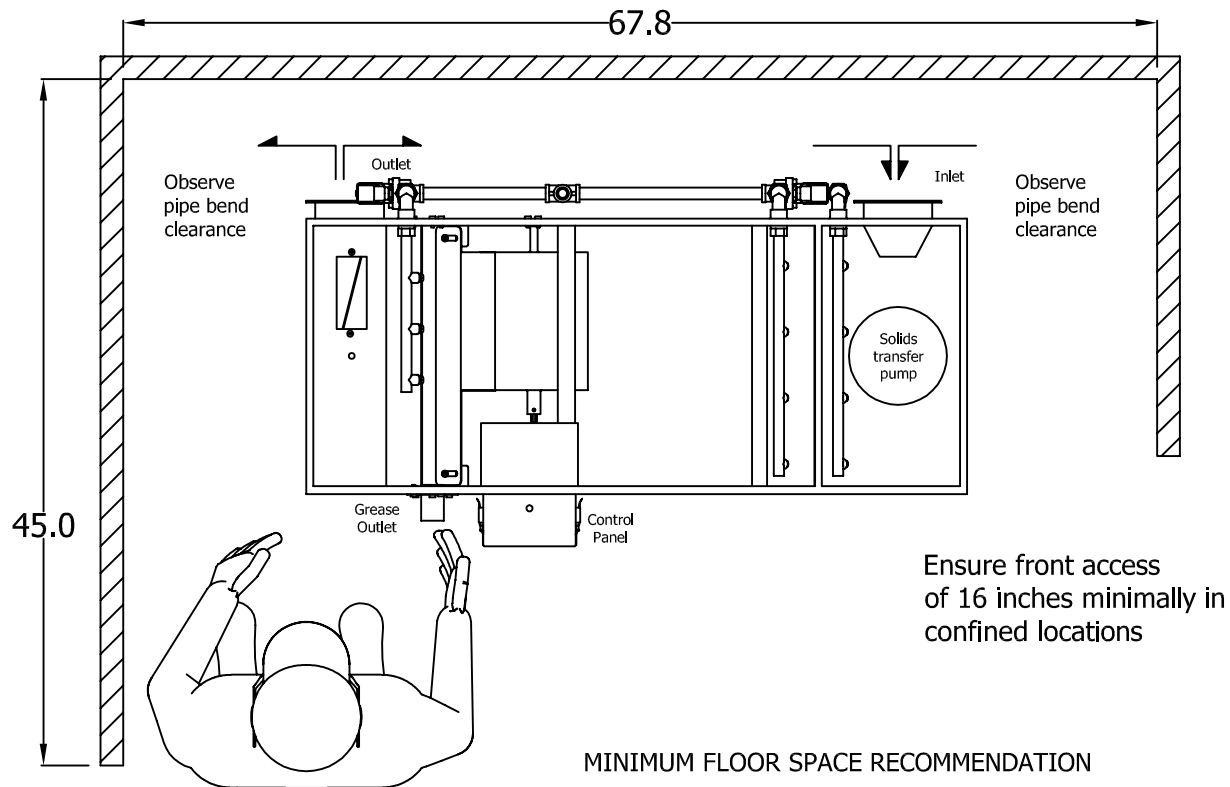
TECHNICAL DATA

Weight	240 pounds
Exterior Materials	16 gauge AISI304 Stainless Steel
Interior Materials	AISI304 Stianles Steel & Acetal Components
Maximum Flow Rate	75 GPM
No of Skimming Drums	1
Solids transfer pump rating (flow/head max)	70gpm/13.5psi (16m3h/9.5m)
Skimming Rate	20 pounds per hour
Grease Retention Capacity	150+ pounds
Wash water system operation requirements (minimum)	12gpm/43.5psi (0.75litres/s@3bar)
Programming/Control	7day, 24hr multi-function PLC
Electrical Load	110VAC, 1062W, 12.7A max*

* Current absorbed depends on pump discharge head



GGX75 AST Grease Guardian Installation Details



<p>KEY INSTALLATION NOTES:</p>	<p>PRE START CHECK UP:</p>
<p>This unit is to be installed free standing normally at a lower level than the kitchen floor. Allow for the minimum dimensions shown. Keep outlet piping at a fall of $\frac{1}{3}$" per foot (1:40). Use adjustable rubber pipe connectors as supplied. Only switch on after filling system to the required level Refer to manual for full installation details.</p>	<p>Ensure unit is positioned on a level surface and is plumbed in securely. Ensure electrical outlet is fitted with dedicated ground fault circuit breaker. Ensure that the unit is filled with water to the correct level. Set correct controller date and time as detailed in the manual. Ensure that collection receptacle is empty and securely in place.</p>
<p>SPECIFICATION:</p>	<p>GREASE GUARDIAN WORLD:</p>
<p>Install ___ Grease Guardian Model GGD75AST, self cleaning automatic grease removal unit, 16 gauge fully welded 304 stainless steel tank, stainless steel internal baffle plate, fully sealed air tight stainless steel lid and robust stainless steel clamps, stainless steel vertical lift solids strainer basket with dry basket for easy disposal of solids, easy fit pipe couplings supplied, 75 gallons per minute flowrate, and skimming rate of 20 pounds per hour. The GGD is supplied with a rotating grease skimming, automatic internal wash system, automatic wash for scum dispersion, integral gas trap, totally enclosed geared drive unit, 600 watt immersion heater with self regulating safety control, programmable controller with interface, energy saving mode and audible alerts. The GGD is suitable for floor and shelf type mounting. 3 year warranty as standard.</p> <p>Electrical Details GGD75AST 110Vac, 1062 Watts, 12.7A</p>	<p>Grease Guardian World is an interactive online register of all Grease Guardian branded products uploaded and managed by Grease Guardian, distributors and end users.</p> <p>Grease Guardian World allows us to:</p> <ul style="list-style-type: none"> • Upload and manage individual sites • Monitor specification, service history, supplier details for each Grease Guardian installed • Upload and view installation photographs • Upload and view Operation & Maintenance manuals • Upload and view service engineer reports • Locate sites using Google Maps linking • Automatically remind distributors, customers and end users when service is due and warranties expire. • Access and manage accounts on-line • Manage recycled FOG